



**OWNER:
THE TATA POWER COMPANY LIMITED**

**PROJECT MANAGER:
MUNDRA THERMAL POWER STATION**

PROJECT:

**SUPPLY OF Explosion Vent
AT
5 X 830 MW MUNDRA THERMAL POWER STATION,
KUTCH, GUJARAT (INDIA)**

ENQ. REF. NO.: MTPS24MD_1000064608 - Explosion Vent

EXPRESSION OF INTEREST (EOI)

SUPPLY OF EXPLOSION VENT (For Hot Air Duct)

Enquiry reference no.: - MTPS24MD_1000064608 - Explosion Vent
Name of Package: SUPPLY OF EXPLOSION VENT AT 5 X 830 MW MUNDRA THERMAL POWER STATION, KUTCH, GUJARAT (INDIA)
Type of Bidding: E-tendering / Two Part
Contact Details: 1. Mrs. Anil Agarwal, Head – Contracts & Materials, Mobile: 9250008964, E-mail: Anil.agarwal@tatapower.com 2. Mr. Manas Deshmukh, Lead Engineer - Procurement, Mobile: 7763803500, Email: manasd@tatapower.com 3. Mr. Huzaifa Yusuf, MMD, Mobile: 9326195448, Email: huzaifa.yusuf@tatapower.com The Tata Power Co. Limited, Mundra Thermal Power Station, Tunda Vandh Road, Tunda Village, Mundra, Kutch, Gujarat - 370435 Website: https://www.tatapower.com/tender/tenderlist.aspx

The Tata Power Co. Limited (“Owner”) invites Expression of Interest (EOI) from interested parties for the Two-Part e-Tendering Process of following Package:

Description	Bid Security (EMD)	Tender Fee
Supply of Explosion Vent for Hot Air Duct	INR 35,000/-	INR 2,000/-

Please note that corresponding details mentioned in this document will supersede any other details mentioned anywhere else in the Tender Document.

Procedure for Participating in Tender. Following steps to be done before “Last date and time for Payment of Tender Participation Fee” as mentioned later.

- 1. For Regular Bidders-** Non-Refundable Tender Participation Fee, as indicated in table above, to be submitted in the form of direct deposit in the following bank account and submit the receipt along with a covering letter clearly indicating the Tender Reference number.
- 2. Authorization letter-** Eligible and Interested Bidders to submit duly signed and stamped letter on Bidder's letterhead indicating,
 - a) Tender Enquiry number
 - b) Name of authorized person
 - c) Contact Number
 - d) E-mail id

- e) Details of submission of Tender Participation Fee
- f) Copy of Cancelled Cheque

E-mail with necessary attachments as per step 1 and 2, as indicated above to be sent to manasd@tatapower.com with copy to anil.agarwal@tatapower.com before “Last date and time for Payment of Tender Participation Fee”, after which link from Tata Power E-Tender system (Ariba) will be shared for further communication and bid submission.

Please note all future correspondence regarding the tender, bid submission, bid submission date extension, Pre-bid query etc. will be only through Tata Power E-Tender system (Ariba). User manual to guide the bidders to submit the bid through e-Tender system (Ariba) is also enclosed.

No e-mail or verbal correspondence will be responded. All communication will be done strictly with the bidder who have complied with above steps to participate in the Tender.

Also, it may be strictly noted that once date of “Last date and time for Payment of Tender Participation Fee” is lapsed no Bidder will be sent link from Tata Power E-Tender System (Ariba). Without this link vendor will not be able to participate in the tender. Any last moment request to participate in tender will not be entertained.

Any payment of Tender Participation Fee / EMD by Bidder who have not done the prerequisite within stipulated timeline will not be refunded.

1. INTRODUCTION:

The Tata Power Company Limited (TPCL) is among the largest private sector Power Utility companies in India with presence in Generation, Transmission and Distribution of Power through conventional and renewable sources.

Tata Company is hereby inviting Expression of Interest (EOI) from interested and eligible parties for Supply of “Explosion Vent for Hot Air Duct”.

A brief overview of Owner and Site is given below:

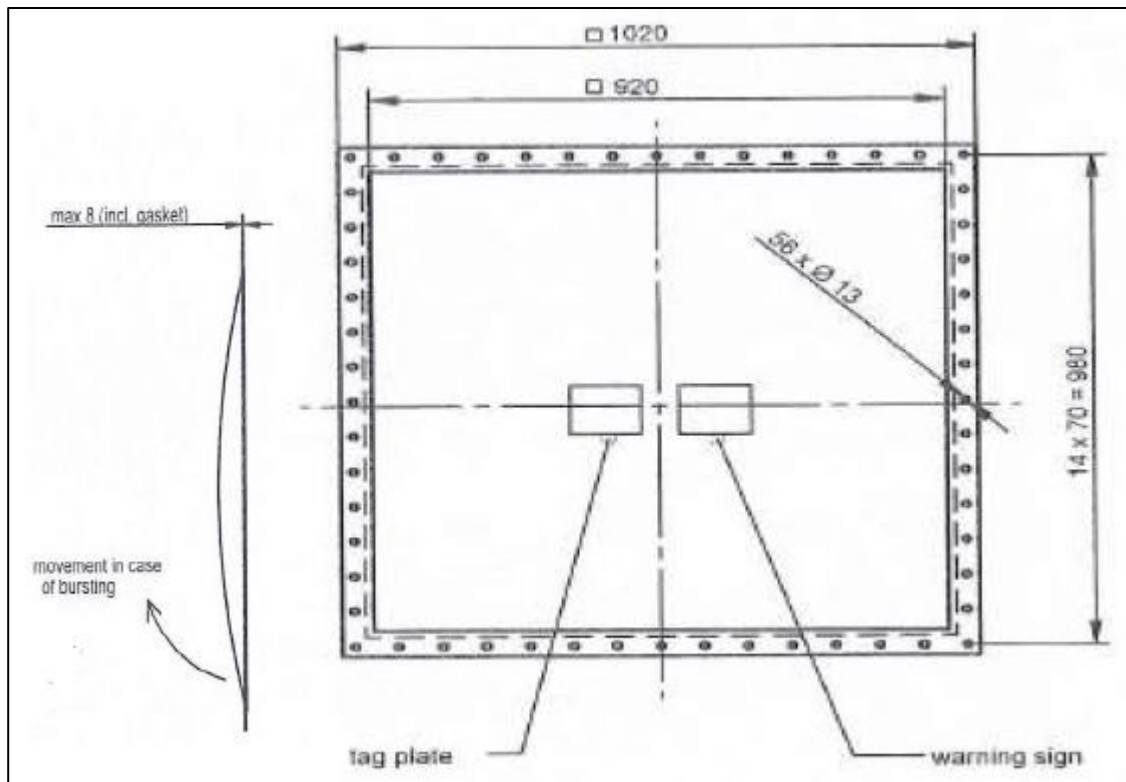
Site Name	Mundra Thermal Power Station, Mundra Taluka, Kutch District, Gujarat
Owner	Tata Power Co. Ltd.
Site Location	The Tata Power Co. Ltd., Mundra Thermal Power Station, Opp. Kala Raksha, Tunda - Vand Road, Village: Tunda, Taulka : Mundra, District: Kutch, Gujarat. - Latitude: 22.8396° N - Longitude: 69.7241° E
Plant Elevation	Above Mean Sea Level
Nearest Rail Head	Gandhidham

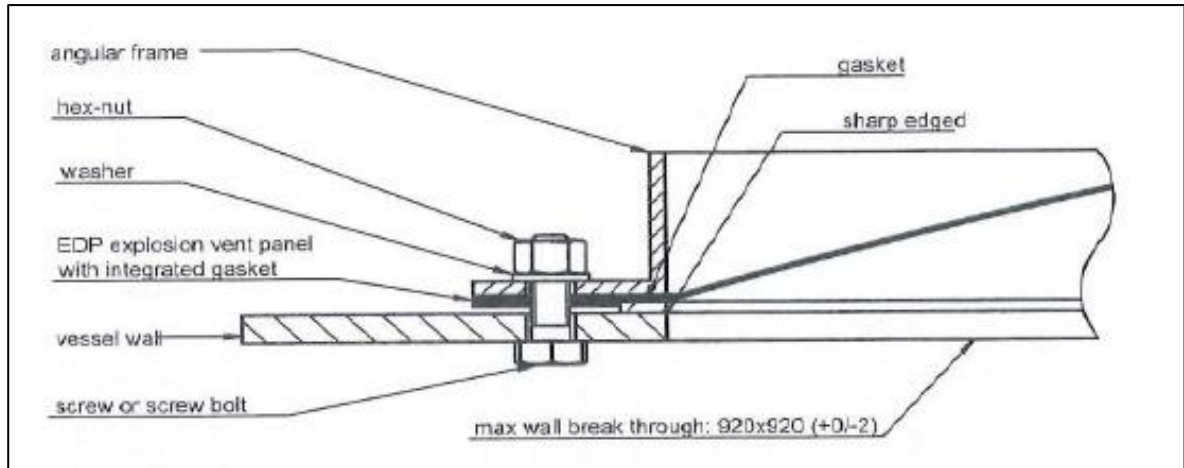
Climatic conditions	Temperatures: a) Summer Temp. – 25 Deg. C to 45 Deg. C b) Winter Temp. – 15 Deg. C to 35 Deg. C Relative Humidity: a) Maximum – 81% b) Minimum – 35%
----------------------------	---

2. TECHNICAL DATA OF REQUIRED EXPLOSION VENT IN BRIEF:

ITEM NAME: EXPLOSION VENT,
TYPE/USED: EXPLOSION/FLAT,
MATERIAL: STAINLESS STEEL 316 (seal/Heat shield)
MAXIMUM PRESSURE DURING VENTING: 1250 MMAQ at 271 Deg. C
Manufacturing Range: $\pm 10\%$ of set pressure,
Hole Size: M10
Note: BURST Test Certificate Required

Dimensional data:





Detailed technical specifications with T&Cs shall be provided in the Bid Documents (at stage of Tender RFQ), which shall be made available to interested parties' submitting valid EOI and Tender Fee as prescribed below.

3. TENDER FEE & TIMELINES:

- a) Interested parties meeting the pre-qualification criteria specified elsewhere in this document can request for Bid Document and participate in the bidding process by submitting their Expression of Interest (EOI) and credentials along with the tender fee **not later than 30.06.2024**. Request for Bid Document/EOI will not be entertained beyond this deadline.
- b) Interested parties to submit Non-Refundable tender fee, as indicated in the table above, in the form of crossed demand draft/banker's cheque/pay order/ NEFT (details given in table below) in the name of "The Tata Power Co. Ltd." payable at par at all branches in Mumbai along with a covering letter duly stamped and signed by an authorized signatory clearly indicating the Tender Reference number, your EOI to participate in the tendering process and indicating name of authorized person, contact number / e-mail id (mandatory) with NEFT details (if the tender fee is paid using NEFT) on Bidder's letterhead. It is mandatory to mention Tender Reference no. in the said letter.

Details for payment of Tender Fee and EMD:	
Bank details for submitting Tender fees through bank transfer/ NEFT:	Account Name : Tata Power Co Ltd. Account Number : 30545457373 Bank Name : State Bank of India Bank Branch : CAG, Fort, Mumbai IFSC Code : SBIN0009995
Deadline for tender fee payment and submission of EOI:	30th June 2024

- c) Detailed Bid Document (also referred as RFQ) shall be issued through Tata Power e-tender portal (ARIBA) only to the parties whose EOI meeting above mentioned requirements are received by the deadline mentioned above.

4. BID SECURITY:

Interested parties to note that Bidder is required to furnish a Bid Security along with their Bid, in the form of Bank Transfer (NEFT/ IMPS) for an amount of INR 50000/- (Fifty Thousand only) and Bids not accompanied by an acceptable Bid Security shall be rejected by the Owner as being nonresponsive and returned to the bidder without being opened.

5. PRE-QUALIFICATION CRITERIA:

Interested parties to note that Bidder shall be required to fulfil the following conditions and submit relevant supporting documents for each of the following criteria along with the Bid.

a. TECHNICAL:

- I. The Bidder must have experience of minimum 5 years in supply of explosion vents for coal mill application in supercritical power plants.
- II. The Bidder must have supplied explosion vents as per following specifications in the last two years for coal mill application in supercritical power plants.
 - a) Explosion vent size – 900 x 900 mm
 - b) Max. Burst Pressure – 2368 mmAq
 - c) Venting Area – 8500 cm²
 - d) Burst Element – SS316
- III. The Bidder shall provide reference of Purchase Orders in last 2 years along with clientele information (Cumulative Order Value not less than 15 Lakhs) for supply of explosion vents as per technical data mentioned above for coal mill application in supercritical power plants. SUPPORTING DOCUMENTS (to be submitted as PQR Documents):
 - a) PO Copy in support of successful supply of material to be submitted.
 - b) Experience details should be submitted as per the following table format:

1	2	3	4	5
Sr. No.	Client details / Power plant details	Order No. Date & Year	Order value (Rs. Lakhs)	Brief details

b. FINANCIAL:

Bidder shall have adequate financial resources to execute the Contract concurrently with his other commitments and shall meet the following condition:

- i. The bidder shall have during the last three financial years an Average Annual Turn Over of not less than Rs. 1.0 Crores or its equivalent in any other currency related to tender business only.
- ii. Bidder to submit the following supporting documents:
 - Certified Copy of GST registration and GST return for last Two Years.
 - Certified Audited Report of Bidders for last 3 Years.

6. BIDDING PROCESS:

- i. Detailed Bid Document (also referred as RFQ) shall be issued through Tata Power e-tender portal (SAP Ariba System) only to the parties submitting a valid EOI as per terms mentioned,

in this Tender Notice.

- ii. Bidders to note that bidding for subject tender may be conducted through e-auction. Detailed bidding and auction process shall be detailed during RFQ/Bidding Stage.
- iii. Pls note that, Bidders are currently required to submit EOI and relevant documents through E-mail addresses mentioned above only. No need to send physical mail/courier.